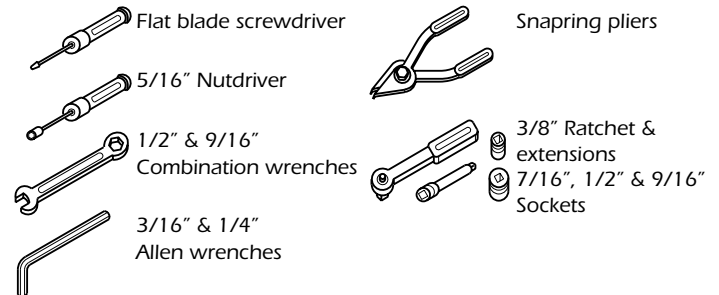




Congratulations, you have purchased the finest exhaust system for your motorcycle on the market. Your Vance & Hines exhaust system is designed and crafted for maximum performance, a perfect fit, a great sound and unbeatable style. Please follow the installation instructions below and if you have any questions, please call our technical support line at (562) 926-5291.

Attention installer (if other than owner), please forward this instruction sheet to the owner of this product. These instructions contain valuable information to the end user.

**TOOLS
REQUIRED**



READ ALL INSTRUCTIONS BEFORE BEGINNING INSTALLATION

**STOCK EXHAUST
SYSTEM REMOVAL**

1. Loosen heat shield clamps on both the front and rear head pipes.
2. If equipped, loosen crossover pipe clamp, located between front and rear head pipes.
3. Remove two cylinder exhaust port flange nuts from each head pipe, located at the cylinder head.
4. Remove both front and rear head pipe clamp bolts.
5. Remove the bolts that attach mufflers to the frame.
6. Remove the complete exhaust system and set aside.

Assistance may be required.

7. Remove rear head pipe clamp bracket from transmission cover. Save the bolts, one will be re-used.
8. Remove left bolt below the transmission cover. Position mounting bracket 376-P over mounting location to determine which bolts to remove (Figure 1).
9. Carefully remove exhaust port flanges and circlips from the stock exhaust system using snapping pliers. NOTE: Replace bent or damaged circlips. Check exhaust port gasket condition. Recommended replacement exhaust port gaskets, Harley part number: 17048-98 or 65324-83A.

FIGURE 1

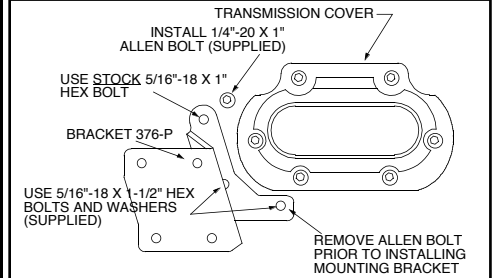


FIGURE 2

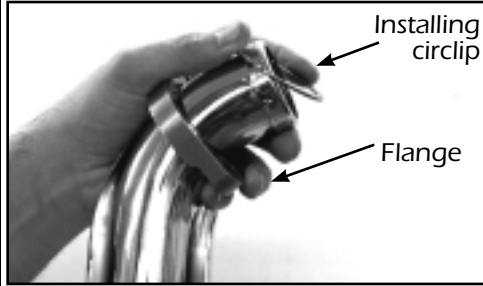


FIGURE 3

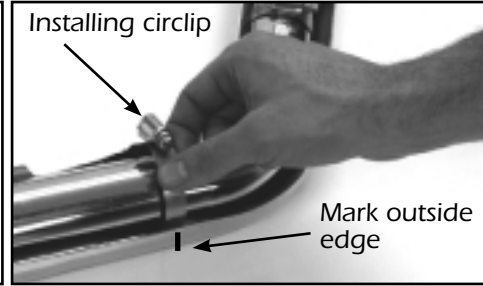


FIGURE 4

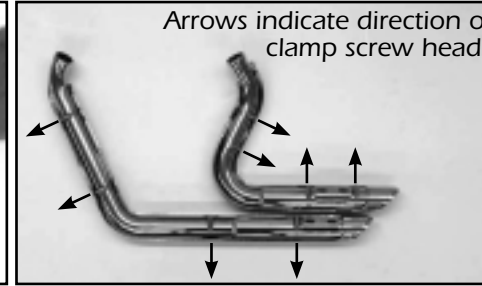


FIGURE 5



VANCE & HINES EXHAUST SYSTEM INSTALLATION

1. Attach mounting bracket 376-P (supplied) to transmission using stock bolt in top hole. Install two 5/16" x 1-1/2" hex bolts and 5/16" flat washer combinations (supplied) into remaining holes (Figure 1).
2. Install circlips and flanges from the stock system onto both new head pipes (Figure 2).
3. Remove head pipes and heat shields from protective packaging. Place each heat shield on a non-abrasive surface such as a blanket or carpet. Using a felt tip pen, mark outside edge of each heat shield to show location of hose clamp mounting clips (Figure 3).
4. Lay head pipes into heat shields and loosely install hose clamps by feeding tail end of clamp into heat shield clips (Figure 3). Take note of screw head direction (Figure 4). Screw head should be accessible when system is installed on motorcycle for adjustment purposes. Use #20 hose clamps for head pipe areas and #28 hose clamps for muffler areas. Note: Do not tighten at this time.
5. Using stock flange nuts, carefully install head pipes into exhaust ports. Assistance may be required. NOTE: Do not tighten at this time.
6. Starting with the front head pipe, slide nutplate inside bracket that is welded to backside of muffler body (Figure 5). While holding nutplate in place, attach head pipe to mounting bracket 376-P using two 5/16"x 5/8" flange head bolts (supplied). Leave them loose at this time. Repeat for rear head pipe. NOTE: Muffler body brackets should align with edges of mounting bracket 376-P.
7. Tighten exhaust port flange nuts while making sure pipes are parallel.
8. Tighten flange bolts securing muffler bodies to mount bracket 376-P.
9. Tighten all heat shield clamps while making sure end tips stick out of heat shields evenly.
10. Check for adequate clearance between all exhaust system components and motorcycle accessories prone to heat damage.
11. Be sure to tighten all hardware before starting your motorcycle.

EXHAUST CARE - HELPFUL HINTS TO AVOID DISCOLORATION OF EXHAUST SYSTEM

1. When installing a new set of chrome pipes, make sure your hands are clean and free of oil. After installation, thoroughly clean pipes with a soft cloth and cleaning solvent that will leave no residue (chrome wax / polish, glass cleaner, alcohol, ammonia, etc...) before starting the motorcycle.
2. Follow owners manual instructions regarding use of the choke (starter enricher). If left on longer than recommended, discoloration may be accelerated.
3. Avoid long periods of idling as this can cause discoloration.
4. Intake leaks can cause the engine to run lean and overheat, this could lead to discoloration.
5. Make sure there are no exhaust leaks at the junction of the exhaust pipes and cylinder head. We recommend replacing gaskets if they are worn.

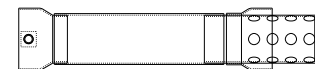
VANCE & HINES OPTIONAL ACCESSORIES

FUELPAK



FUEL MANAGEMENT FOR FUEL INJECTED MODELS:
Take the guess work out of fuel injection with the new Fuelpak Fuel Management System, P/N 61005. Contact your local dealer or call (562) 921-7461 to order. Visit vanceandhines.com for more information.

QUIET BAFFLE



Quiet baffle P/N 21301 is available for this system. The quiet baffle will lower the sound level by 2-3db on average. Contact your local dealer to order.

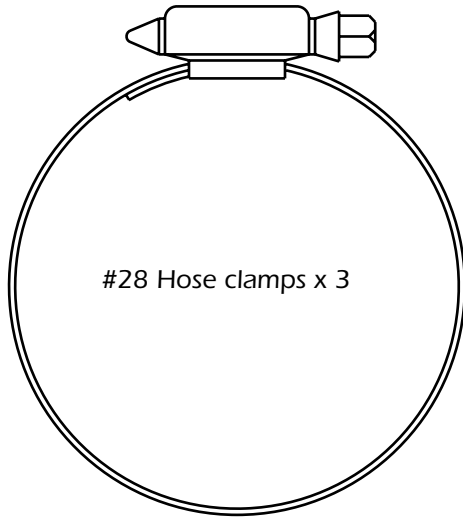
RE-JETTING FOR CARBURETURED MODELS:
Re-jetting the carburetors will result in realizing the "full" potential of this performance exhaust system. Vance & Hines offers Jet Kits for most applications, call (562) 921-7461 for more information.

PLEASE NOTE:
Every effort is made for Vance & Hines Exhaust Systems to provide improved cornering clearance. However, due to design and space limitations on some motorcycle models, ground and cornering clearance may not be improved and in some cases may be reduced. Be sure to follow proper installation instructions.

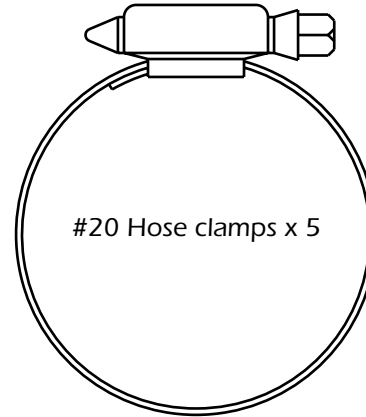


PACKING LIST

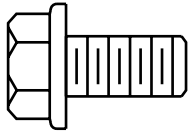
ALL PARTS SHOWN ARE ACTUAL SIZE



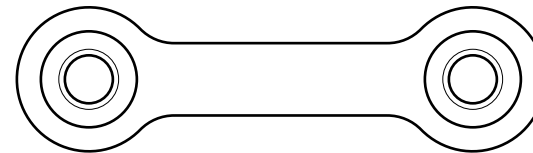
#28 Hose clamps x 3



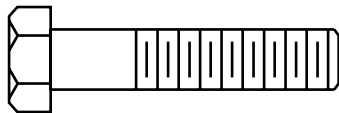
#20 Hose clamps x 5



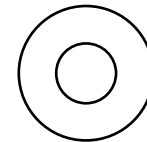
5/16" x 5/8" Flange head bolts x 4



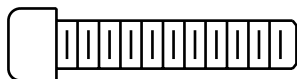
Nutplates x 2



5/16" x 1-1/2" Hex head bolts x 2



5/16" Flat washers x 2



1/4"-20 x 1-1/4" Socket head cap screw x 1

PARTS NOT SHOWN:
D376-P Bracket x 1
D375FC Front head pipe x 1
D376FC Rear head pipe x 1
D375HC Front heat shield x 1
D376HC Rear heat shield x 1

WARRANTY

Vance & Hines exhaust systems are warranted against defects in material and workmanship for a period of 90 days from the date of purchase from an authorized dealer. This warranty does not cover discoloration of chrome finishes. This warranty is limited to the repair or replacement of a product proven to be defective from normal use. Vance & Hines exhaust systems are designed to fit and operate on OEM motor and chassis. This warranty does not cover any product subject to abuse, misuse, improper installation or modification.

FUELPAK

GET THE MOST OUT OF YOUR RIDING EXPERIENCE...

AN AFTERMARKET EXHAUST SYSTEM IS ONLY YOUR FIRST STEP, NOW YOU NEED FUEL MANAGEMENT.

YOU NEED FUELPAK.

Your fuel injected Harley-Davidson® is equipped with an ECU (electronic control unit) that's programmed to deliver fuel to the motor based on an air/fuel ratio for a stock air filter and stock exhaust system. When you install a performance exhaust system, your airflow changes, so you need a fuel management system that adjusts your air/fuel ratio to match the changes. That fuel management system is Fuelpak. Fuelpak adds and takes away fuel, allowing for a more precise range of refinement in your air/fuel ratio. Get the perfect fuel management combination with your Vance & Hines exhaust system, get Fuelpak. For more information visit the tuning center at vanceandhines.com/fuelpak.



13861 ROSECRANS AVENUE / SANTA FE SPRINGS, CA 90670
SALES: (562) 921-7461 / TECHNICAL: (562) 926-5291 / FAX: (562) 802-0110
VANCEANDHINES.COM