



SWITCH HOUSINGS

7808

Thank You For Choosing Kuryakyn!

Protect yourself and others from potential injury and property damage or loss. Pay close attention to all instructions, warnings, cautions, and notices regarding the installation, use, and care of this product.

WARNING

THIS INDICATION ALERTS YOU TO THE FACT THAT IGNORING THE CONTENTS DESCRIBED HEREIN CAN RESULT IN POTENTIAL DEATH OR SERIOUS INJURY.

NOTICE

This indication alerts you to the fact that ignoring the contents described herein may negatively affect product performance and functionality or damage the product itself or the product to which it is being attached.

ENSURE THAT THE FOLLOWING PARTS HAVE BEEN INCLUDED IN THE KIT:

- 1 Upper Right Switch Housing
- 1 Lower Right Switch Housing
- 1 Upper Left Switch Housing
- 1 Lower Left Upper Switch Housing
- 1 Hardware Kit Including:
 - 4 10-24 x 1/2" Torx Fastener
 - 4 #10 Split Lock Washer
 - 1 Spring
 - 1 Clip
 - 1 Thumbscrew
 - 2 "E" Clip
- 1 Installation Instructions

YOU WILL ALSO NEED:

T25 and T27 Torx Wrench, set of hex wrenches, Phillips screwdriver, silicone sealant, torque wrench, and model/year-specific Service Manual.

NOTICE

These installation instructions contain important information. Ensure that the end user receives this copy and is aware of its importance for future use.

WARNING

THE END USER'S SAFETY DEPENDS UPON PROPER INSTALLATION OF THIS PRODUCT. IF A STEP IN THESE INSTRUCTIONS IS NOT WITHIN YOUR CAPABILITIES OR YOU DO NOT HAVE THE CORRECT TOOLS, HAVE YOUR DEALER PERFORM THE PROCEDURE. IMPROPER INSTALLATION OF THIS PRODUCT COULD RESULT IN DEATH OR SERIOUS INJURY.

ACCIDENTAL VEHICLE START-UP COULD CAUSE DEATH OR SERIOUS INJURY, REMOVE THE MAIN FUSE BEFORE PROCEEDING.

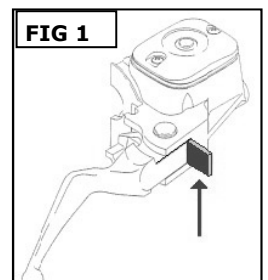
NOTICE

Avoid damage to the motorcycle. Protect painted surfaces with a soft cloth or blanket.

STEP 1 Read and understand all steps in the instructions before starting the installation. Park the motorcycle on a hard, level surface and turn **IGN OFF**. Allow the engine and exhaust system to cool. Remove the main fuse.

STEP 2 Place a 5/32" cardboard insert between the brake lever and the brake lever bracket. Doing so will depress the brake switch and protect it from damage when the switch housings are removed. See **FIG.1**.

STEP 3 Using a T27 Torx wrench, remove the two fasteners that secure the handle bar clamp to the master cylinder housing. Remove the brake lever/master cylinder assembly and clamp from the handlebar.



STEP 4 Using a T25 Torx wrench, remove the upper and lower switch housing fasteners. Remove the friction shoe from the end of the tension adjuster screw.

STEP 5 Remove the brass ferrules from the notches on the inboard side of the throttle control grip. Remove the ferrules from the cable end fittings.

STEP 6 Remove the throttle control grip.

STEP 7 With a rocking motion, pull the crimped inserts at the end of the throttle and idle return cable from the lower switch housing. Remove throttle and idle return cable.

STEP 8 Disassemble the right handle bar upper switch housing. To assist in reassembly, note the routing of the wires. On the upper shell of the switch housing, remove the Phillips screw from inner housing.

STEP 9 Remove switch bracket and switch assembly from the housing.

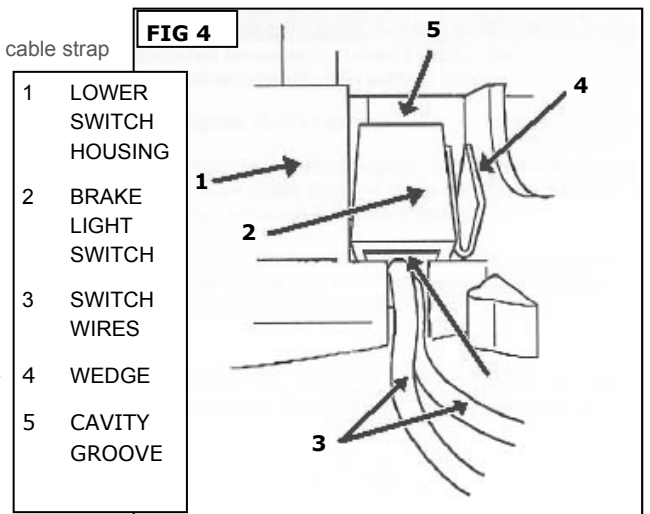
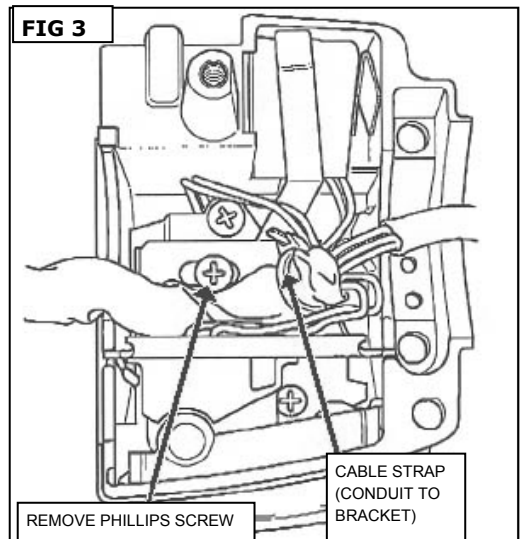
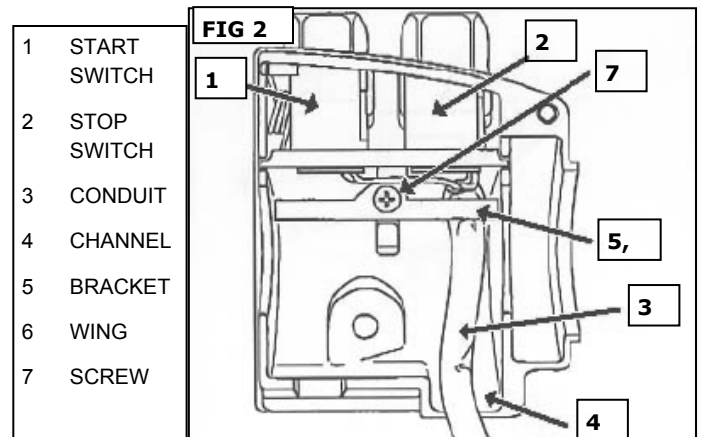
STEP 10 Reassemble right handle bar upper chrome switch housing. See **FIG.2**. Place the switch assembly and bracket into the chrome upper housing cavity. Align the hole in the bracket with the threaded hole on the boss. Be sure the bracket is fully seated.

STEP 11 Fasten the bracket to the inner housing using the stock 6–32 x 1/4" Phillips Head Cap Screw and a #6 Flat Washer, and tighten. Be sure that the bracket "wing" on the engine stop switch side captures the edge of the conduit.

STEP 12 Disassemble the right lower switch housing. See **FIG.3**. Carefully cut the cable strap holding the wire conduit to the turn signal switch bracket.

STEP 13 Remove the Phillips head screw near the securing bracket at the center of the housing. Lift the bracket and turn signal switch from the housing.

STEP 14 Remove brake light switch and wedge. See **FIG.4**. Gently pry out the wedge between the switch housing and the brake light switch and save the wedge for reassembly. Gently push the brake light switch into the switch housing with your thumb. Gently pull up on the brake light switch assembly while rotating and rocking back and forth. Inspect the brake light switch rubber boot for damage and replace if necessary.





- STEP 15** Reassemble right chrome lower switch housing. Place the brake light switch and wedge into the chrome lower switch housing. Place a small bead of silicone sealant into the wedge.
- NOTE** **Ensure that the wires are routed correctly to prevent pinching or crimping when the housing is reinstalled.**
- STEP 16** Place turn signal switch assembly and bracket into the housing cavity. Align the hole in the bracket with the threaded hole in boss. Be sure the bracket is fully seated.
- STEP 17** Fasten the bracket to the inner housing using the stock 6–32 x 1/4" Phillips Head Cap Screw and a #6 Flat Washer, and tighten.
- STEP 18** Begin to reconnect upper and lower chrome switch housings by reconnecting the throttle and idle cables in the reverse order they were removed in **STEP 7**. Push larger diameter throttle cable into the larger hole in front of the throttle tension adjuster screw. Push smaller diameter idle cable housing into the smaller hole behind the throttle tension adjuster screw.
- NOTE** **At this point you can either install the OEM, or the supplied adjuster screw for tensioning the friction shoe. To remove the OEM adjuster screw from the stock switch housing, thread it in as far as it will go and remove the c-clip that retains it, then unscrew it from the housing.**
- STEP 19** Thread the adjuster screw of your choice into place and secure inside the switch housing with a supplied E-clip.
- STEP 20** With the lower switch housing concave side facing upward, install the supplied friction shoe so the pinhole is over the point of the adjuster screw. The friction shoe is a loose fit and may become dislodged if the switch housing is turned upside down or shaken.
- STEP 21** Slide the throttle control grip into place and reinstall it.
- STEP 22** Bring the upper and lower chrome switch housings into position. Verify that the conduit is in the depression at the bottom of the handle bar. Be sure the handle bar does not pinch the conduit when the switch housing fasteners are tightened.
- NOTE** **The OEM switch housing uses a fastener directly in the middle of the top half housing. These replacement chrome switch housings feature a hidden fastener, which gives a much nicer appearance and a flowing upper finish. Both chrome switch housing fasteners will be inserted through the lower switch housing. Mounting holes are located at the right rear and the left front of the lower switch housing.**
- STEP 23** Start a 10–24x 1/2" Torx fastener with a #10 split lock washer through the lower chrome switch housing fastener holes and into the upper switch housing; **torque the two switch housing fasteners to 35–45 in lbs (3.95-5.08 Nm).**
- NOTE** **Do not remove the insert between the brake lever and the brake lever bracket that you installed in STEP 2.**
- STEP 24** Position the brake lever/master cylinder inboard of the switch housing assembly. Engage the tab on the lower switch housing in the groove at the top of the brake lever bracket.
- STEP 25** Align the holes in the handle bar clamp with the holes in the master cylinder housing. Start the two OEM fasteners with flat washers and position the assembly for comfort. Beginning with the top fastener, **torque both fasteners to 60–80 in lbs (6.77-9.03 Nm)** with a T27 Torx wrench.
- STEP 26** Remove the insert between the brake lever and the lever bracket. Ensure that the throttle operates correctly before starting the bike.

WARNING

FAILURE OF THE THROTTLE TO RETURN COULD RESULT IN LOSS OF CONTROL CAUSING SERIOUS INJURY OR DEATH.



CLUTCH SIDE PROCEDURE:

- STEP 27** Using a T27 Torx wrench, remove the two fasteners and flat washers that secure the handle bar clamp to the clutch lever bracket. Remove clutch hand lever assembly and clamp from the handle bar.
- STEP 28** Using a T25 Torx wrench, remove the upper and lower switch housing fasteners.
- STEP 29** Disassemble the upper switch housing by removing the Phillips screw that secures the inner bracket holding the high/low beam switch and the horn switch to the housing.
- STEP 30** Reassemble the upper chrome switch housing. Fasten the bracket holding the high/low beam switch and the horn switch to the inner housing using the stock 6–32 x 1/4" Phillips Head Cap Screw and a #6 Flat Washer, and tighten. Verify that the bracket wing on the high/low side captures the edge of the conduit.
- STEP 31** Begin to disassemble the lower switch housing by carefully cutting the cable strap holding the conduit to the turn signal switch bracket.
- STEP 32** Remove the Phillips head screw that secures the turn signal switch bracket to the housing and remove the bracket.
- STEP 33** Remove the turn signal switch and bracket assembly; remove the clutch safety switch.
- STEP 34** Install the clutch safety switch in the lower chrome switch housing.
- STEP 35** Install the turn signal switch and bracket to the lower chrome switch housing using the stock 6–32 x 1/4" Phillips Head Cap Screw and a #6 Flat Washer and tighten.
- STEP 36** Place the upper and lower chrome switch housings on the handle bar. Be sure that the ribs on the outboard side of both housings fit in the grooves molded into the grip.
- STEP 37** Verify that the conduit is in the depression at the bottom of the handle bar. Also be sure that the conduit will not be pinched under the bar when the switch housing fasteners are tightened.
- NOTE** The OEM switch housing uses a fastener directly in the middle of the top half housing. These replacement chrome switch housings feature a hidden fastener, which gives a much nicer appearance and a flowing upper finish. Both chrome switch housing fasteners will be inserted through the lower switch housing. Mounting holes are located at the right rear and the left front of the lower switch housing.
- STEP 38** Start a supplied 10–24 x 1/2" Torx fastener with a #10 Split Lock Washer through the lower chrome switch housing fastener holes and into the upper switch housing but DO NOT tighten at this time.
- STEP 39** Position the clutch hand lever assembly inboard of the switch housing assembly. Engage the tab on the lower switch housing with the groove at the bottom of the clutch lever bracket.



- STEP 40** Align the holes in the handle bar clamp with the holes in the clutch lever bracket. Start the two OEM fasteners with flat washers and position the assembly for comfort. Beginning with the top fastener, tighten both fasteners to 60–80 inch pounds with a T27 Torx wrench.
- STEP 41** Using a 1/8" hex key, **torque the two switch housing fasteners to 35–45 in lbs (3.95-5.08 Nm).**
- STEP 42** Reinstall the main fuse and test all switches, brake lever, throttle, and clutch lever for proper function.

NOTICE

It is the end user's responsibility to ensure that all fasteners (including pre-assembled) are tightened before operation of the motorcycle. Kuryakyn will not provide warranty coverage on products or components lost or damaged due to improper installation or lack of maintenance. Periodic inspection and maintenance are required on all fasteners.

LIMITED WARRANTY

Kuryakyn warrants that any Kuryakyn products sold hereunder, shall be free of defects in materials & workmanship for a period of one (1) year from the date of purchase by the consumer excepting the following provisions:

1. Kuryakyn shall have no obligation in the event the customer is unable to provide a receipt showing the date the customer purchased the product(s).
2. The product must be properly installed, maintained & operated under normal conditions.
3. Kuryakyn shall not be liable for any consequential & incidental damages, including labor & paint, resulting from failure of a Kuryakyn product, failure to deliver, delay in delivery, delivery in nonconforming condition, or for any breach of contract or duty between Kuryakyn & a customer.
4. Kuryakyn products are often intended for use in specific applications. Kuryakyn makes no warranty if a Kuryakyn product is used in applications other than intended.
5. Kuryakyn electrical products are warranted for one (1) year from the date of purchase by the consumer. L.E.D.'s contained in components of Kuryakyn products will be warranted for defects in materials & workmanship for 3 years from the date of purchase whereas all other components shall be warranted for one (1) year.
6. Merchandise purchased directly from Internet auction sites or any other third party seller is considered sold as is & shall not carry a Kuryakyn warranty. All warranty claims must be directed to the original seller. If unsure please contact the seller to verify they are an authorized Kuryakyn retailer.

RETURN POLICY

Merchandise determined to be defective may be returned up to one year from the date of purchase. Returns must be processed through original seller. Returned merchandise for any other reason other than warranty claims must be in like new condition & subject to a 20% restocking fee. All returns are subject to inspection for determination of full or partial credit. Any returned part that shows evidence of being used or installed contrary to manufacturer's instructions, &/or subjected to improper handling, packaging or return shipping by the customer, will not be eligible for exchange, refund or warranty consideration. All returned electrical items will be inspected & tested. If electrical item is deemed functional, no credit will be issued & item will be returned. All sales are final on discontinued or closeout merchandise.