

SADDLEMEN®

WWW.SADDLEMEN.COM

USER GUIDE & INSTALLATION INSTRUCTIONS

DESCRIPTION: Metric Cruiser Seats

PART NUMBER: All

OVERVIEW:

Congratulations on choosing a new Saddlemen® seat for your motorcycle! Your new seat is constructed with a heavy-duty plastic or fiberglass pan that is made to install in the same way as your stock seat. Our durable rubber bumpers and plated brackets often exceed the strength and durability of the original seat's components. In most cases, you simply remove your stock seat (see your motorcycle owner's manual) and replace it with the Saddlemen seat. Seats that require unique mounting will have instruction labels affixed to the seat or a supplemental instruction set will be included. In most cases, your Saddlemen seat will replace your stock seat directly, and install the very same way. Some metric motorcycles may use additional mounting points on the side of the stock seat that are not used with the Saddlemen seat.



IMPORTANT:

Please read these instructions completely before starting installation. All "NOTE" "CAUTION" and "WARNING" notations are serious safety issues and should be read carefully. Possible injury to riders or damage to the motorcycle and/or accessory may result if improperly installed.

NOTICE TO DEALERS:

These instructions contain important information for future reference and should be given to the customer.

⚠ WARNING:

Because of the variety of motorcycle configurations, other accessories, and the features and intended use of this Saddlemen seat, there may be different mounting options. You are responsible for the proper installation of this seat on your motorcycle. Your attention to these installation instructions, any additional specific instructions and recommendations will permit the safe and proper use of this seat. You must mount this seat properly and securely before riding your motorcycle. If you lack the ability to safely and properly install this seat, seek out a qualified motorcycle technician for assistance. During installation, you may need to support the motorcycle with a suitable stand or lift so it will not tip over and injure you, or damage the vehicle. Using or mounting this seat improperly could result in a loss of control of the motorcycle which could result in damage to your motorcycle or other personal property, the property of third parties, and/or personal injury to yourself or others, up to and including death.

BE SURE TO THOROUGHLY READ AND CLOSELY FOLLOW THE MOUNTING INSTRUCTIONS THAT ARE INCLUDED WITH THIS SEAT.

- The seat must be installed and securely fastened onto the chassis of the motorcycle. Refer to your motorcycle's Owner's Manual and/or Service Manual for guidance.
- If you do not understand these instructions DO NOT mount the seat, and remove any related components you may have already installed on your motorcycle.
- Thoroughly inspect your motorcycle's seat before every ride. Do not use this seat if its mounting system has been modified, has deteriorated, loosened or is beginning to fail.
- Continually check the security of your seat and other accessories at each stop as you ride. Items attached to your motorcycle can loosen during operation, so be sure to check them frequently.
- Do not use this seat if you have any doubts as to whether it is properly mounted to your motorcycle. You must be sure that the installation of the seat will not damage your motorcycle's painted or plated parts. Saddlemen is not responsible if you or your technician mount the seat and it damages your motorcycle for any reason.
- When using any accessory, do not exceed your vehicle's Maximum Gross Vehicle Weight as listed on your motorcycle or in the manufacturer's owner's manual.
- If your seat is ever damaged, do not use it until it has been inspected by your local professional motorcycle dealer. You may also need to send your seat to Saddlemen for inspection or repair. Replace any mounting part immediately if it has sustained damage that will prevent the seat from being properly secured to your motorcycle.

11-400426 Metric Cruiser Seats (Rev 05-22)

⚠️ WARNING:

DO NOT ATTEMPT TO USE THIS SEAT IF:

- You do not understand these installation and use instructions;
- You do not understand any part of the seat's mounting system;
- You have any doubts as to the security of the seat's mounting system.
- If you have any concerns or questions, seek help at your qualified motorcycle dealer or call the Saddlemen support line at (310) 638-1222.

PASSENGER GRAB STRAP: This accessory seat is provided without a passenger grab strap. Carrying a passenger without a grab strap in place on your motorcycle may be hazardous for the passenger. Grab straps, rear mounted foot pegs, sissy bars, passenger backrests and trunks aid in making a passenger more secure on the vehicle. Laws in some jurisdictions require grab straps or other security devices when a passenger is transported. Do not transport a passenger if they are not secure. Do not disable grab straps or other safety features provided on your motorcycle and obey all traffic laws while riding.

Saddlemen offers a complimentary grab strap for this seat, part no. 15327. Call (310) 638-1222 for more information. Always ride responsibly and take precautions to be sure your passenger is secure and comfortable at all times.

⚠️ California Proposition 65 Warning

WARNING: This product contains chemicals known to the State of California to cause cancer and birth defects or other reproductive harm. For more information: www.P65/Warnings.ca.gov.

Remember: Motorcycling can be a dangerous activity. Installation of any accessory can increase your risk if it is not installed properly. You are responsible to install this seat or any accessory so it will not contact any portion of the drive train, suspension or steering, or in any way interfere with the operation of your motorcycle.

To avoid injury, install while engine is cold.



INSTALLATION:

1. In most cases, your Saddlemen seat will be a direct replacement, and mount the very same way your stock seat mounts. See your Owner's Manual for seat removal and installation tips.

2. Many cruiser seats install using a single fender mounting bracket at the rear of the seat. You may need to reverse the position of this bracket (see diagram here) by removing the two screws that hold it to the seat base. Turn the bracket around to the Installation position, and reinstall the two screws.

3. In some cases, it MIGHT be necessary to remove mounting hardware and rubber bumpers from your original seat and reinstall them on your new seat.

-Bumpers may already be installed on your new seat, but some models require the special specific bumpers from your original seat for proper tolerance and fit. The stock bumpers are easily removed by twisting and pulling at the same time, with soapy water or silicone spray as a lubricant.

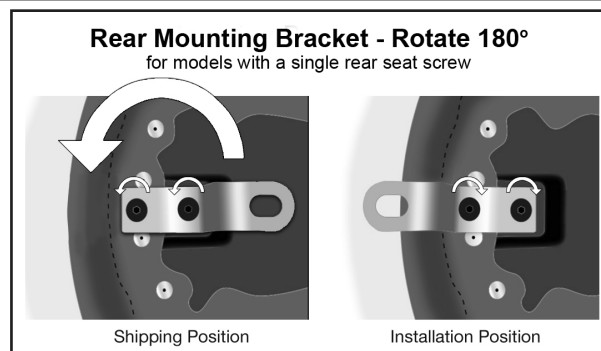
-Our seat base design may differ slightly from your original pan, using new hardware (supplied with this seat) to attach your original brackets. Place the new bolts through the brackets and into the threaded riv-nuts in the new seat base. Repeat until all hardware is transferred.

-Because of manufacturing variances between different models and years, it may be necessary to slightly alter the bolt-hole size on the original brackets with a drill or file to accommodate the new bolts.

4. Check all fastener hardware for tightness, 10 -to- 15 ft/lbs torque is recommended, do not overtighten.

5. Install the new seat on the motorcycle, and inspect for proper fitment. The new seat will be firmer than the original seat and will break-in over time to provide greater comfort (usually several hundred miles of riding is required). During the break-in, the seat will also settle in, or lower, about ½ to one inch. Older seats may seem substantially lower because of the worn-out, compressed foam that may have deteriorated with time.

A REAR TAB FENDER PROTECTOR WASHER IS SUPPLIED with seats that mount with a rear tab. Use this washer between the rear seat tab and your bike's fender to protect the paint. For additional protection, use a Saddlemen Adhesive Fender Washer (PN: 8901) and a Saddlemen part number Protective Tape Kit (PN: 4320-0807) which further protects paint from abrasion damage from a seat, and is also useful when mounting other accessories such as tank bags or saddlebags. NOTE: It is not considered abnormal for your new Saddlemen seat to touch the motorcycle's chassis in certain places (just like your original seat). Due to the natural variance of your vehicle and your new Saddlemen seat, you should always check to see if portions of the seat are touching painted or finished surfaces on your motorcycle. If the test fitting of your seat indicates an area where the seat is touching a sensitive surface, you can protect that area by using the film from the Saddlemen Protective Tape Kit (PN: 4320-0807). This kit can help protect these areas from abrasion damage from a seat. Some seat designs vary from the original seat, and may have a Protective Tape kit already supplied. This will be noted on a decal applied to the seat's pan.



CAUTION:

It is your responsibility to make sure the seat installation does not create an unsafe or illegal situation. Remember that this seat is a custom accessory. It is your responsibility to check the installation to determine if it will be safe for you to operate the motorcycle and to properly and safely carry a passenger (this includes reinstalling the passenger grab strap or installing a suitable replacement). You must also ensure that the installation does not damage your vehicle in any way.

Failure to install the accessory seat, any seat cover, or passenger grab straps properly may allow portions of the seats or related materials to slip, or contact the vehicle's moving parts or exhaust system. It is vital that you verify that the seats and any related parts will not touch, or interfere with other components of your motorcycle throughout the vehicle's entire range of motion.

After 50 miles (80 kilometers) of riding, verify that the seat components and mounting are still tight and secure. It is your responsibility to make sure that any accessory installation does not create an unsafe or illegal situation. An improperly mounted seat can interfere with the vehicle's operation and cause an unsafe riding condition.

11-400426 Metric Cruiser Seats (Rev 05-22)



Saddlemen seats are made in the U.S.A. and use the finest materials available.

Congratulations on the purchase of your new Saddlemen motorcycle seat!

Your seat is warranted against defective material and workmanship for a period of one year from the date of purchase.



Caution Handle with Care

YOUR SADDLEMEN SEAT REQUIRES ALMOST NO MAINTENANCE OTHER THAN PERIODIC CLEANING WITH MILD SOAP AND WATER, AND THE APPLICATION OF A UV INHIBITOR TO PREVENT COLOR FADING CAUSED BY UVA AND UVB SUN EXPOSURE TO THE THREAD. WE RECOMMEND RAY BLOC FABRIC PROTECTOR OR SIMILAR WHICH CAN BE PURCHASED ONLINE OR AT YOUR LOCAL HOME IMPROVEMENT STORE.

THIS SEAT HAS BEEN INSPECTED AND IS FREE OF RIPS, CUTS OR TEARS IN THE COVER. IF THERE IS DAMAGE TO THIS PRODUCT THAT MAY HAVE RESULTED FROM THE FREIGHT COMPANY, SAVE ALL PACKAGING MATERIAL AND PUT IN A CLAIM WITH THAT CARRIER.

ALL REPAIRS AND REPLACEMENTS WILL BE DONE AT THE DISCRETION OF THE MANUFACTURER.
ANY MODIFICATIONS TO THE PRODUCT WILL VOID WARRANTY. NO WARRANTY CLAIMS SHALL EXCEED THE PURCHASE PRICE OF THE SEAT.

THIS SADDLEMEN SEAT WAS DESIGNED TO FIT ONTO A STOCK MOTORCYCLE. IF ANY PART OF THE MOTORCYCLE (FRAME, FENDER, GAS TANK, ETC) HAS BEEN ALTERED OR CHANGED, THERE IS NO GUARANTEE OF PROPER FITMENT. SADDLEMEN IS NOT RESPONSIBLE FOR ANY DAMAGE THAT MAY OCCUR BY ATTEMPTING TO INSTALL A NEW SEAT ONTO A MODIFIED, NON-STOCK MOTORCYCLE.

SADDLEMEN WILL NOT BE LIABLE FOR CONSEQUENTIAL OR INCIDENTAL DAMAGES. RETURNED SEATS MUST BE IN LIKE NEW CONDITION.

Confirm Proper Fitment

Always carefully check fitment before the final mounting of your new seat. DO NOT bolt down the seat until you confirm it fits properly. When checking fitment of your Saddlemen seat, place a cloth under the seat then carefully set the seat on the bike and confirm fitment.

WHEN HANDLING THIS PRODUCT, AVOID CONTACT WITH SHARP EDGES OR HARD PARTS. THIS MAY RESULT IN DAMAGE AND VOID WARRANTY.

WARNING: Inspect the hardware before and during each ride. Loose mounting hardware can interfere with the vehicle's operation and cause an unsafe riding condition.

Limited Warranty Policy

Saddlemen warrants to the original retail purchaser that for a period of one year from the date of retail purchase, they will repair or replace, at their option, any product which is defective in material or workmanship.

What is Covered

Replacement parts and labor are covered. Return ground transportation charges to Consumer for repaired product are covered. REPAIR OR REPLACEMENT AS PROVIDED IN THE WARRANTY IS YOUR EXCLUSIVE REMEDY.

What is Not Covered

Saddlemen does not warrant any product which is damaged from abuse, lack of maintenance or is not used for its intended purpose. Normal wear and tear are excluded. This Limited Warranty does not cover or apply to any loss or damage to the motorcycle or other items which may have been caused by the defective product and does not apply to personal injury, repair or other incidental costs caused by defective product. Transportation charges to Saddlemen for defective product are not covered. Sales outside of the United States and any other expenses are not covered.

CONSEQUENTIAL DAMAGES, INCIDENTAL DAMAGES, OR INCIDENTAL EXPENSES, INCLUDING DAMAGE TO PROPERTY, ARE NOT COVERED. SOME STATES DO NOT ALLOW THE EXCLUSION OR LIMITATION OF INCIDENTAL OR CONSEQUENTIAL DAMAGES, SO THE ABOVE LIMITATION OR EXCLUSION MAY NOT APPLY TO YOU.

Warranty Coverage

At the option of Saddlemen, your returned product will be repaired to our current design standard or replaced at our cost with either identical product or our most equivalent current product and returned with transportation charges prepaid via regular surface transportation to any location in the continental US.

THIS IS THE ONLY EXPRESS WARRANTY GIVEN WITH RESPECT TO YOUR PRODUCT. ALL OTHER EXPRESS WARRANTIES, GUARANTEES (EXCEPT WRITTEN "SATISFACTION GUARANTEE") OR STATEMENTS REGARDING THE PRODUCT ARE HEREBY DEEMED NULL AND VOID AND OF NO EFFECT.

Disclaimer of Other Warranties

ANY IMPLIED WARRANTY WHETHER OF MERCHANTABILITY, FITNESS FOR A PARTICULAR PURPOSE, OR OTHERWISE ON THIS PRODUCT IS LIMITED TO THE DURATION OF THIS WARRANTY, EXCEPT TO THE EXTENT PROHIBITED BY APPLICABLE LAW. SOME STATES DO NOT ALLOW LIMITATIONS ON HOW LONG AN IMPLIED WARRANTY WILL LAST, SO THE PRECEDING LIMITATION MAY NOT APPLY TO YOU.

Implied Warranties

ANY IMPLIED WARRANTIES, INCLUDING THE IMPLIED WARRANTIES OF MERCHANTABILITY AND FITNESS FOR A PARTICULAR PURPOSE, ARE LIMITED IN DURATION TO ONE YEAR FROM DATE OF RETAIL PURCHASE. SOME STATES DO NOT ALLOW LIMITATIONS ON HOW LONG AN IMPLIED WARRANTY LASTS, SO THE ABOVE LIMITATIONS MAY NOT APPLY TO YOU.

To the extent any provision of this warranty is prohibited by federal, state or municipal law and cannot be preempted, it shall not be applicable.
This warranty gives you specific legal rights, and you may also have other rights which vary from state to state.

11-400426 Metric Cruiser Seats (Rev 05-22)