



INSTALLATION

LICENSE PLATE HELMET LOCK 4248

FITS MOST MODELS WITH 4 X 7" LICENSE PLATES

PART #	INCLUDED
414248	1 Black Helmet Lock/Key Set
404248	1 Lock Mount Bracket
409166b	1 License Backing Plate
904248	1 Hardware Kit, including:
	1 1/4-20 X 1-1/4" FHCS 6-Lobe Security Screw
	4 1/4-20 X 3/4" BSCS 6-Lobe Security Screw
	4 1/4-20 Nylock Hex Nut
	4 1/4 SST Flat Washer
	1 Six-Lobe Key Wrench, T-27
304248	1 Installation Instructions

Please read and understand entire instructions before starting installation.

THANK YOU FOR CHOOSING KÜRYAKYN!

PLEASE NOTE

It is the installers' responsibility to make sure all fasteners (including pre-assembled) are tightened before operation of motorcycle. Kuryakyn will not warranty components that are lost due to improper installation. Periodic maintenance may be required.

TOOLS SUGGESTED

7/16" combination wrench.

ATTENTION! The license plate helmet lock fits many configurations; the lock can be mounted on either the left or right side of the license plate bracket. The lock can also be mounted with the locking loop towards the front or the rear of the bike.

PROCEDURE

STEP 1 Remove your existing license plate.

STEP 2 Determine the best position for the helmet when mounted in the lock; this is usually on the kickstand side of the motorcycle, so that the helmet leans away from the fender.

-cont.-



CUSTOMER SERVICE

877.370.3604 (toll free)

INSTALLATION QUESTIONS

techsupport@kuryakyn.com
or call 715.247.2983

LIMITED WARRANTY

Kuryakyn warrants that any Kuryakyn products sold hereunder, shall be free of defects in materials and workmanship for a period of one (1) year from the date of purchase by the consumer excepting the following provisions:

· Kuryakyn shall have no obligation in the event the customer is unable to provide a receipt showing the date the customer purchased the product(s).

· The product must be properly installed, maintained and operated under normal conditions.

· Kuryakyn makes no warranty, expressed or implied, with respect to any gold plated products.

· Kuryakyn shall not be liable for any consequential and incidental damages, including labor and paint, resulting from failure of a Kuryakyn product, failure to deliver, delay in delivery, delivery in nonconforming condition, or for any breach of contract or duty between Kuryakyn and a customer.

· Kuryakyn products are often intended for use in specific applications. Kuryakyn makes no warranty if a Kuryakyn product is used in applications other than intended.

· Kuryakyn electrical products are warranted for one (1) year from the date of purchase by the consumer. Components of Kuryakyn products containing L.E.D.s will be warranted for defects in materials and workmanship for 3 years from the date of purchase.

· Kuryakyn makes no warranty of any kind in regard to other manufacturer's products distributed by Kuryakyn. Kuryakyn will pass on all warranties made by the manufacturer and where possible, will expedite the claim on behalf of the customer, but ultimately, responsibility for disposition of the warranty claim lies with the manufacturer.

ABOUT OUR CATALOG

You'll find all our innovations for H-D, GL and Metric Cruisers in our annual catalogs. Order online today—select the "CATALOGS" icon. Each Kuryakyn™ product comes with a Proof-of-Purchase good for a complimentary catalog. Details in packaging.

Be sure to ask your local dealer about other Kuryakyn products, the motorcycle parts and accessories designed for riders by riders.

©2005 Kuryakyn USA™ All Rights reserved.



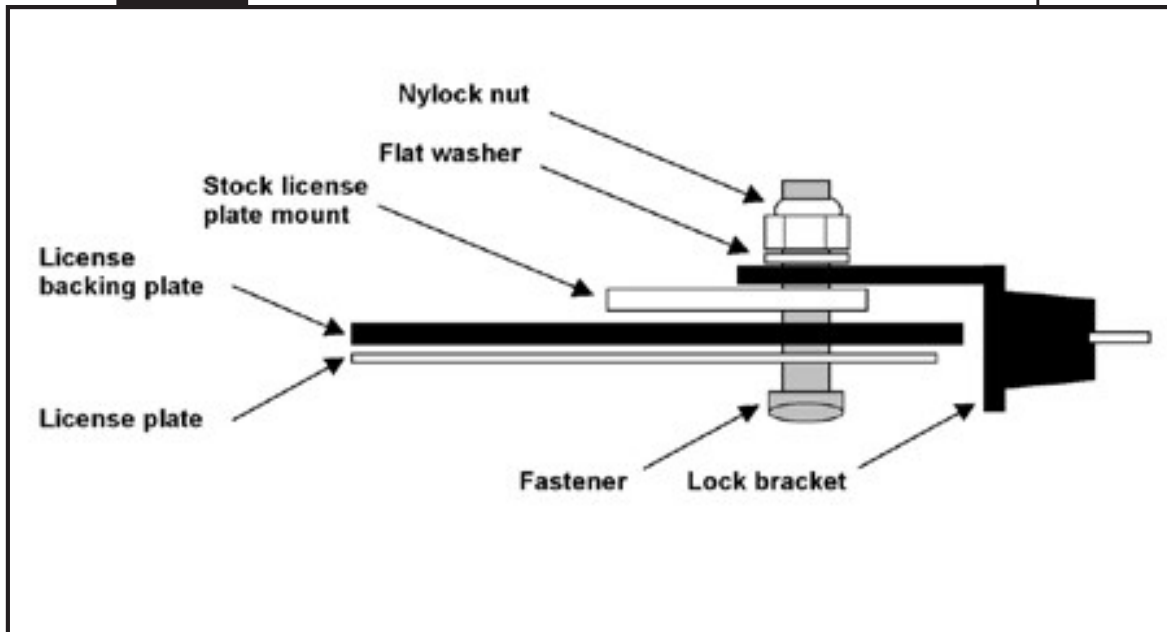
STEP 3 Install the license plate over the license backing plate, then install the license plate and backing plate on the stock license plate mount. See [FIG.1](#).

Kuryakyn

STEP 4 Install the lock bracket on the rear of the stock license plate mount. Secure the license plate, license backing plate, and lock bracket to the stock license plate mount with the supplied fasteners and flat washers. See [FIG.1](#).

Ride On!

FIG.1



PAGE

2