



mounting instruction XR 1200 Top Trees (202401)



kit equipment

- 1 Kit 202403
- 1 Top Washer
- 1 Nut - 1 washer for Headlamp
- 1 Bolt and Washer

Installation time : 120 minute

- Tools requirement :
- 1) Scissor Bike lifter (JACK)
 - 2) Lithium Grease
 - 3) M6 Allen wrench
 - 4) 1/4 Inch Allen wrench
 - 5) 22 - 27 mm. Socket wrench
 - 6) 7/8 - 11/16 Inch Socket wrench
 - 7) T50 Torx wrench
 - 8) Torque wrenches



1

To support the bike, lift it under the frame.



2

Unfasten OEM top trees.



3

- A) dismount headlamp.
- B) Unfasten top nut.



4

Unfasten and remove instruments.



5

- A) Dismount handcontrol .
- B) Remove handlebar.



6

- Remove OEM top trees.
- Insert bearing and spacers.
- (Use waterproof grease on bearing)

Only for kit 202406



Place the risers.
Insert two bolt m8x70.
Insert two bolt m8x100.

Only with kit 202405



Insert two washer on m8x40 allen bolts.
Place the risers same as pictures.



9

Insert and fasten m8x40 bolts same as pictures
Place the cover risers.



10

Insert two m8x100 allen bolt
Insert two m8x30 allen bolt



11

Mount new top trees.
Fasten new bolt to 60 Nm.



12

Fasten top trees bolts to 14.7 Nm.



13

Mount handlebar and control.



14

Slide instruments cable on headlamp bracket.



15

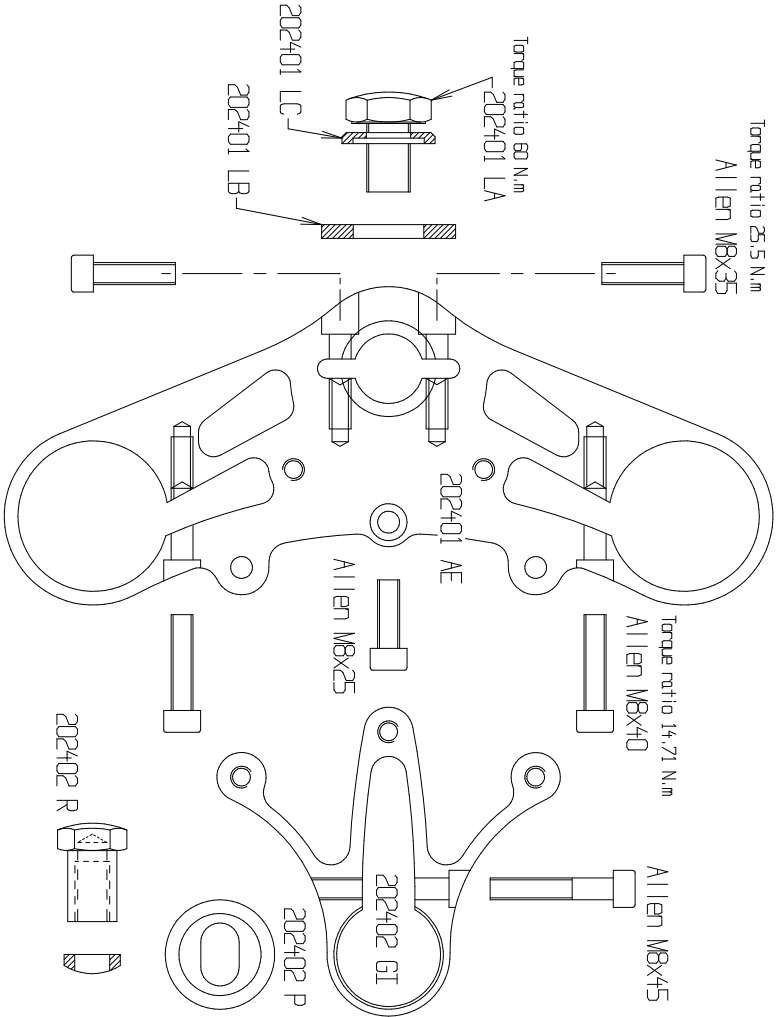
Mount headlamp (used new bolt and spacers).



16

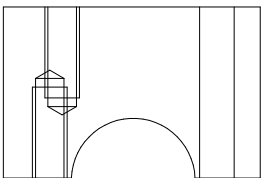
Fasten instruments.

XR 1200 Top Trees 202401

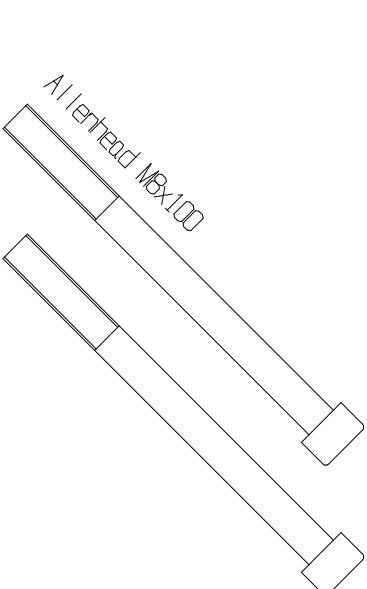
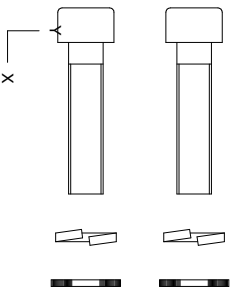


XR1200 Oversized Risers 1" 1/8 GODE 2022405

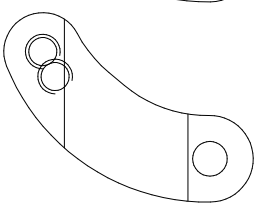
202405AB



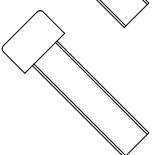
All Ilenhead M8x40



All Ilenhead M8x100



All Ilenhead M8x30



XR1200 Risers 1" Code 202406

