

## INSTALLATION INSTRUCTIONS

### REPLACEMENT SERVO MOTOR FOR HYPERCHARGER™ ES

9368

#### THANK YOU FOR CHOOSING KURYAKYN!

Protect yourself and others from possible injury and property damage or loss. Pay close attention to all instructions, warnings, cautions, and notices regarding the installation, use, and care of this product.

**WARNING** THIS INDICATION ALERTS YOU TO THE FACT THAT IGNORING THE CONTENTS DESCRIBED HEREIN CAN RESULT IN POTENTIAL DEATH OR SERIOUS INJURY.

**CAUTION** THIS INDICATION ALERTS YOU TO THE FACT THAT IGNORING THE CONTENTS DESCRIBED HEREIN CAN RESULT IN MINOR OR MODERATE POTENTIAL INJURY.

**NOTICE** THIS INDICATION ALERTS YOU TO THE FACT THAT IGNORING THE CONTENTS DESCRIBED HEREIN MAY NEGATIVELY AFFECT PRODUCT PERFORMANCE AND FUNCTIONALITY OR DAMAGE THE PRODUCT ITSELF OR THE PRODUCT TO WHICH IT IS BEING ATTACHED.

#### ENSURE THAT THE FOLLOWING PARTS HAVE BEEN INCLUDED IN THE KIT:

- 1 Servo Motor Assembly

#### YOU WILL ALSO NEED:

Set of hex wrenches, set of hex bit sockets, in-lbs (Nm) and ft-lb torque wrench, Blue Loctite Threadlocker

#### NOTICE

THESE INSTALLATION INSTRUCTIONS CONTAIN IMPORTANT INFORMATION. ENSURE THE END USER RECEIVES THIS COPY AND IS AWARE OF ITS IMPORTANCE FOR FUTURE USE.

**STEP 1** Read and understand all steps in the instructions before starting the installation. Park the motorcycle on a hard, level surface and turn off the ignition. Let motorcycle cool.

**STEP 2** Refer to FIG 1. Remove the Hypercharger ES air cleaner assembly from your motorcycle. Make note as to how it is assembled, and all of the hardware, as it will help for reassembly.

- Remove two (2) outside edge screws from cone, and loosen the two (2) inside edge screws
- Remove the cover by pushing it to the left
- Remove two (2) screws and two (2) washers attaching the air filter
- Remove air filter from backer plate assembly
- Disconnect the servo motor from the harness
- Remove the three (2) screws securing the backer plate to the throttle body
- Remove air cleaner assembly from motorcycle

**STEP 3** Refer to FIG 2. From the front side of the assembly, disconnect the servo motor arm from the butterfly rod by removing the center nut and bolt.

**STEP 4** Refer to FIG 3. On the back side of the assembly, remove the three (3) screws securing the servo motor plate to the back of the assembly. Carefully remove the existing servo motor from the assembly.

*Note: The existing servo motor is attached to the back of the assembly with VHB tape. You may need to gently pry on it to break it loose.*

**STEP 5** Thoroughly clean the inside of the servo motor housing on the back of the assembly.

FIG 1

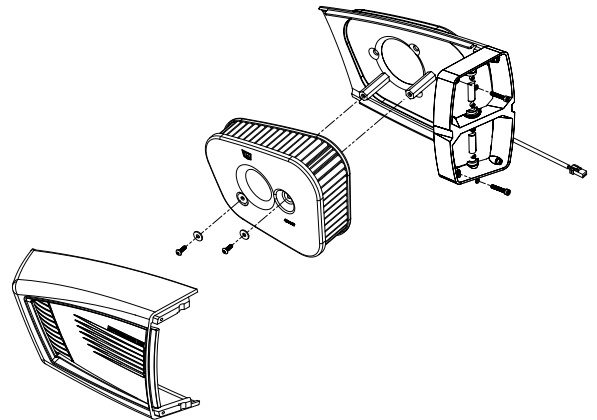
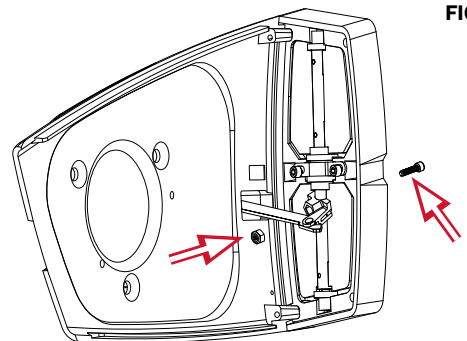


FIG 2



## INSTALLATION INSTRUCTIONS

### REPLACEMENT SERVO MOTOR FOR HYPERCHARGER™ ES

9368

-CONTINUED-

**STEP 6** Refer to FIG 3. Locate provided replacement servo motor. Remove the adhesive backer and insert it into the housing on the back of the assembly. Secure it in place by reinstalling the servo motor cover to the back of the air cleaner, using the three (3) screws that were removed in Step 4.

**STEP 7** Refer to FIG 2. Fasten the servo motor arm to the butterfly rod using the hardware that was removed in Step 3.

**STEP 8** Refer to FIG 1. Reinstall the air cleaner to your motorcycle in the reverse order of Step 2, or by following the installation instructions that were provided with your Hypercharger ES (instructions also found online).

Apply blue loctite to the three (3) screws that fasten the air cleaner assembly to the throttle body.

**TORQUE VALUE FOR BACKER PLATE SCREWS:**  
40-60 IN-LBS (4.5-6.8 NM)

#### NOTICE

**IT IS THE INSTALLER'S RESPONSIBILITY TO ENSURE THAT ALL OF THE FASTENERS (INCLUDING PRE-ASSEMBLED) ARE TIGHTENED BEFORE OPERATION OF THE MOTORCYCLE. KURYAKYN WILL NOT PROVIDE WARRANTY COVERAGE ON PRODUCTS OR COMPONENTS LOST DUE TO IMPROPER INSTALLATION OR LACK OF MAINTENANCE. PERIODIC INSPECTION AND MAINTENANCE ARE REQUIRED ON ALL FASTENERS.**

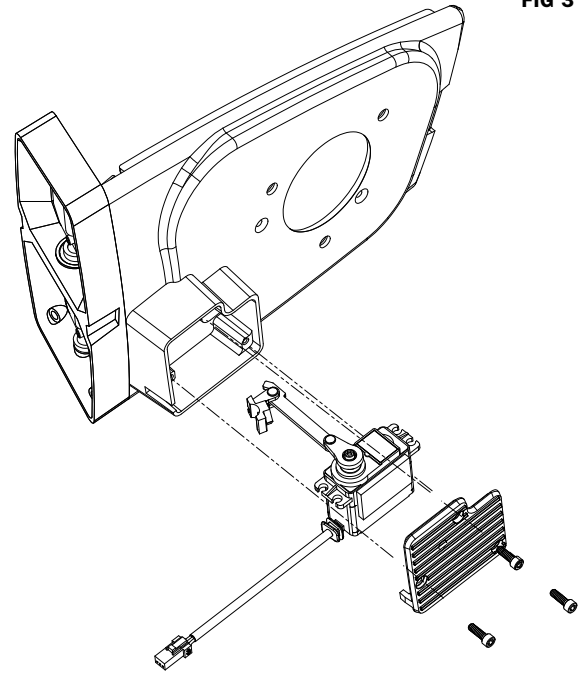


FIG 3

#### LIMITED WARRANTY

Kuryakyn warrants that any Kuryakyn products sold hereunder, shall be free of defects in materials & workmanship for a period of one (1) year from the date of purchase by the consumer excepting the following provisions:

1. Kuryakyn shall have no obligation in the event the customer is unable to provide a receipt showing the date the customer purchased the product(s).
2. The product must be properly installed, maintained & operated under normal conditions.
3. Kuryakyn shall not be liable for any consequential & incidental damages, including labor & paint, resulting from failure of a Kuryakyn product, failure to deliver, delay in delivery, delivery in nonconforming condition, or for any breach of contract or duty between Kuryakyn & a customer.
4. Kuryakyn products are often intended for use in specific applications. Kuryakyn makes no warranty if a Kuryakyn product is used in applications other than intended.
5. Kuryakyn electrical products are warranted for one (1) year from the date of purchase by the consumer. L.E.D.'s contained in components of Kuryakyn products will be warranted for defects in materials & workmanship for 3 years from the date of purchase whereas all other components shall be warranted for one (1) year.
6. All warranty claims must be directed to the place of purchase. Merchandise sold through internet auction sites or any other unauthorized reseller shall not carry a Kuryakyn warranty. If unsure, please contact the place of purchase to verify they are an authorized Kuryakyn reseller.

#### RETURN POLICY

Merchandise determined to be defective may be returned up to one year from the date of purchase. Returns must be processed through original seller. Returned merchandise for any other reason other than warranty claims must be in like new condition & subject to a 20% restocking fee. All returns are subject to inspection for determination of full or partial credit. Any returned part that shows evidence of being used or installed contrary to manufacturer's instructions, &/or subjected to improper handling, packaging or return shipping by the customer, will not be eligible for exchange, refund or warranty consideration. All returned electrical items will be inspected & tested. If electrical item is deemed functional, no credit will be issued & item will be returned. All sales are final on discontinued or closeout merchandise.

©2015 KURYAKYN HOLDINGS, LLC ALL RIGHTS RESERVED

KURYAKYN, KURYAKYN K logo and the marks appearing on this instruction sheet are registered and common law trademarks of Kuryakyn Holdings except noted third-party trademarks. A full listing of trademarks and trademark registrations owned by Kuryakyn Holdings can be found at [www.kuryakyn.com/legal-notice](http://www.kuryakyn.com/legal-notice).

Emissions Notice: The California Air Resources Board (CARB) does not permit the use of aftermarket emission-related parts(s) that alter the performance of OEM emission-related devices unless CARB has issued an Executive Order, other than on racing vehicles on closed courses. Check your local laws and manufacturer's information.

Listed Manufacturers and product model names are for reference only. All product and company names are trademarks or registered trademarks of their respective holders. Use of them does not imply any affiliation with or endorsement by them. All specifications are subject to change without notice.

For additional information on third-party product and company names, please consult our Web page at [www.kuryakyn.com/legal-notice](http://www.kuryakyn.com/legal-notice)

**KURYAKYN.COM**

866 277 9598 | [INFO@KURYAKYN.COM](mailto:INFO@KURYAKYN.COM)

454 COUNTY ROAD VV SOMERSET, WI 54025

PAGE 2

309368

DPF-MRK-003 REV A 2/23/18

