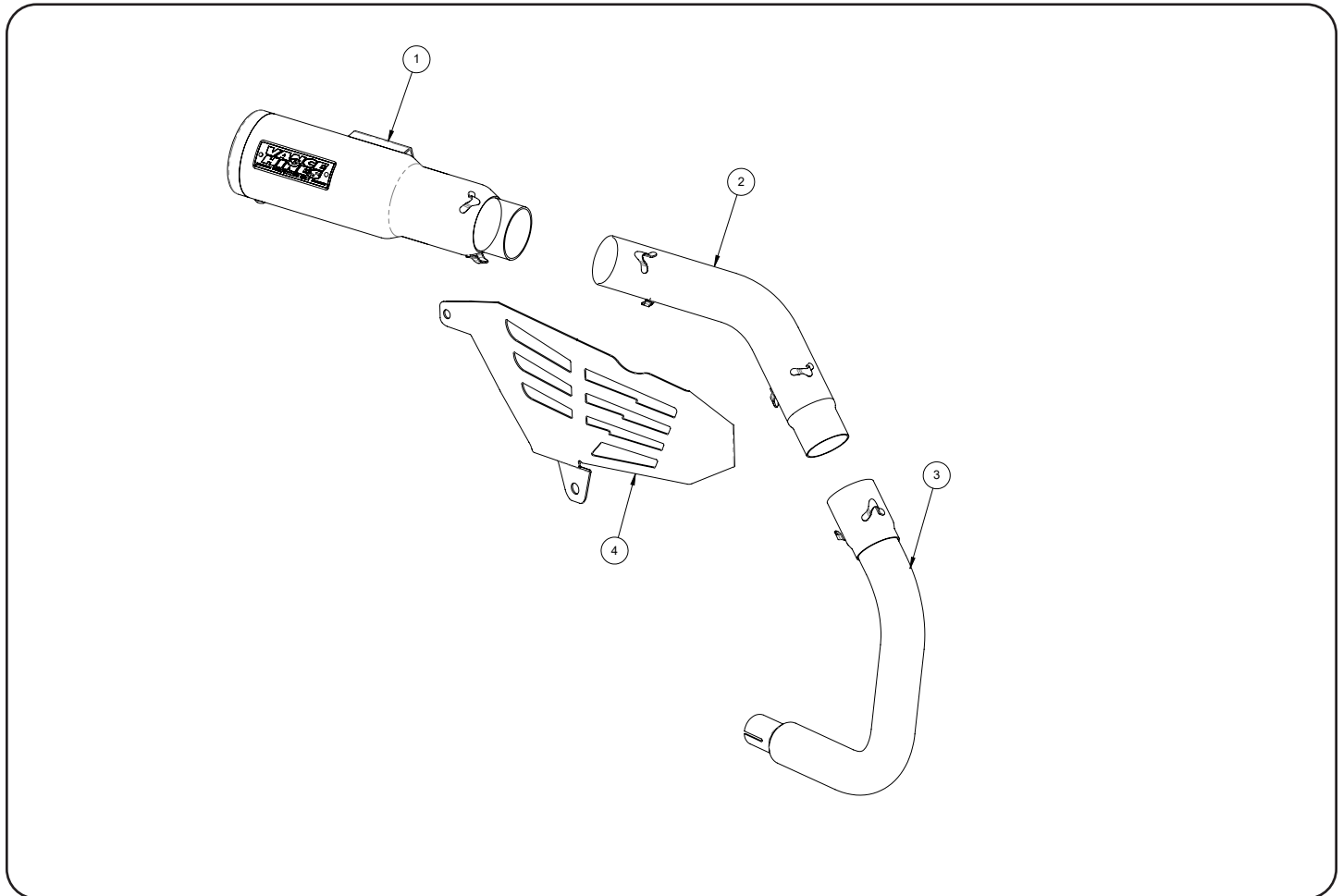


INSTALLATION INSTRUCTIONS: HONDA MONKEY HI-OUTPUT SLIP-ON EXHAUST PART# 14243

Congratulations, you have purchased the finest exhaust system available for your motorcycle. Your Vance & Hines exhaust is designed and crafted for performance, quality, and style. Please follow the instructions below, check exhaust system for missing or damaged parts and if you need any assistance please contact our technical support line (562) 921-7461.

Fits 2019 and later Honda Monkey*

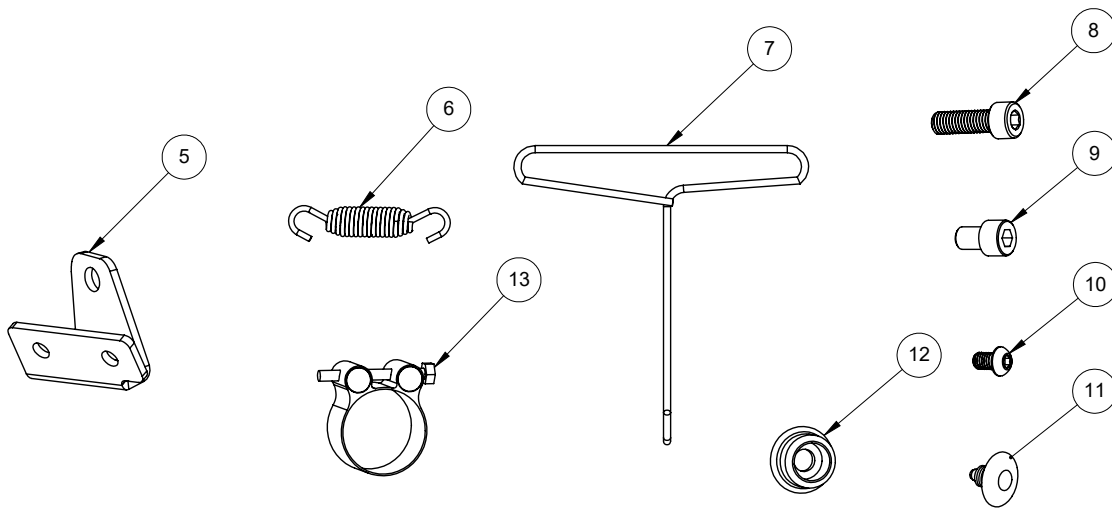
*Qualified Manufacturer Declared Replacement Part for 2019 and later Honda Monkey



PARTS LIST

PART NO.	Description	Qty.	PART NO.	Description	Qty.
1	H675RB-S Muffler Assembly	1	8	A428HW M8X1.25X25MM SHCS	1
2	H685RB Mid-Pipe Assembly	1	9	A934HW M8X1.25X12MM SHCS	1
3	H180FB Header Assembly	1	10	A842HW M6X1X10MM BHCS	2
4	A685HP Cover Plate	1	11	A841HW 1/4" Black Push-in Rivet	1
5	1188 Mounting Bracket	1	12	A746ST-P SHCS Cover Black	2
6	A115SP Dirt Sport Spring	4	13	A950HW 26-28MM T-Bolt Clamp	1
7	A260SP Spring Puller	1			

HARDWARE



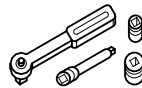
TOOLS REQUIRED



Wrenches: 12mm



Allen Wrench: 4mm, 5mm,
6mm



Sockets: 8mm, 12mm,
Socket Extension

STOCK SYSTEM REMOVAL

1. Loosen the exhaust clamp on the head pipe.
2. Remove the exhaust heat shield bolt.
3. Slide the heat shield toward the rear of the bike to remove it.
4. Remove the upper muffler mount bolt .
5. Remove lower stock muffler mount bolt.
6. Slide the muffler assembly forward, off of the stock head pipe to remove it from the motorcycle.
7. Remove stock gasket from head pipe.

VANCE & HINES SYSTEM INSTALLATION

1. Attach the cover plate (H685HP) to the side of the motorcycle **(Figure 1)**.
 - a. Insert the push clip (A843HW) into the forward mounting hole on the frame.
 - b. Insert the M8X12 (A934HW) into the M8 socket head cover (A746ST-P) and screw into bottom mounting point on frame.
 - c. Do not fully tighten mounting screw at this time. Ensure that the last mounting point is properly aligned.
2. Install head pipe (H180FB) using the supplied T-bolt clamp (A950HW) so that the bolt is to in side facing down. Do not fully tighten at this time.
3. Slide midpipe (H658RB) onto header pipe (H180FB). Align spring clips.
4. Attach bracket (1188) to muffler (H675RB-S) with the two M6 screws (A842HW). Fully tighten bracket to muffler, aligning edge of basket with edge of muffler.
5. Slide muffler with bracket (1188) over midpipe (H685RB) **(Figure 2)**.
 - a. Slip mounting bracket between the frame and cover plate (H685HP).
 - b. Align spring clips and fully slip muffler back until all mounting points are aligned.
 - c. Insert the M8X25 (A934HW) into the M8 socket head cover (A746ST-P) and screw into upper mounting point on the frame.
 - d. Ensure that the screw goes through both the mounting hole for the cover plate, as well as the muffler mounting bracket.
 - e. Fully tighten the mounting screw at this time
6. Tighten the lower cover plate mounting screw with a 6mm allen key.
7. Tighten T-bolt clamp with 8mm socket to 24 in. lbs.
8. Attach exhaust springs (A115SP) using supplied spring puller (A260SP). Starting at the front of the bike and working rearward.

VANCE & HINES SYSTEM INSTALLATION

1. When installing new stainless steel make sure your hands are clean and free of oil. After installation, thoroughly clean pipes and mufflers with a soft cloth and cleaning solvent that will leave no residue (acetone, glass cleaner, alcohol, etc...) before starting the motorcycle.
2. It is considered normal for stainless steel exhaust systems to discolor due to heat.
3. High performance engine tuning utilizing a dyno will likely result in severe discoloration.
4. Avoid long periods of idling as this can cause discoloration. Intake leaks can cause the engine to run lean and overheat, this could lead to discoloration.

FIGURE 1

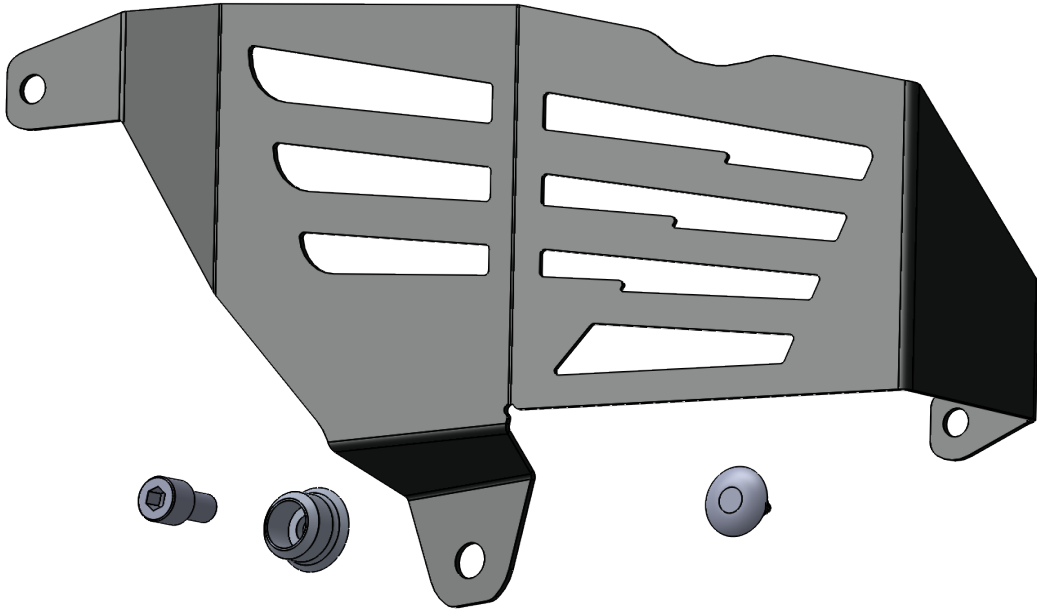
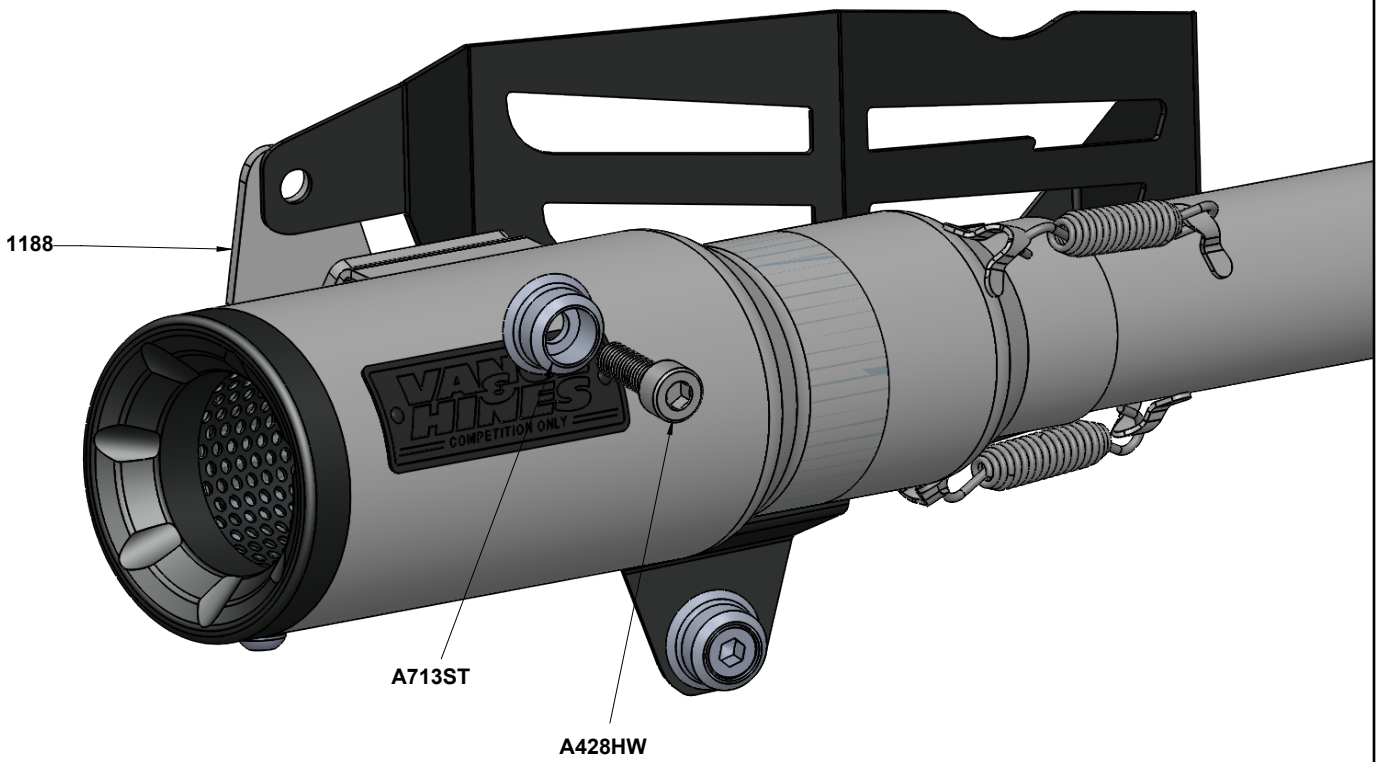


FIGURE 2



Emissions Notice:

In California, in order to meet Air Resources Board emissions requirements, certain aftermarket part applications have been identified as replacements, and others have received ARB Executive Orders. All other emissions related aftermarket parts are for competition use only. A list of replacement parts and EO parts, and corresponding fitment is provided at vanceandhines.com/California.

Warranty:

All Vance & Hines products are warranted against defects in material and workmanship for a period of 90 days. This warranty does not cover discoloration or rust. This warranty shall be limited to the repair or replacement of the product, which may be proven defective under normal use. Vance & Hines will not warranty any system that has been abused, misused, improperly installed or modified.

Dealers or distributors are not authorized to make dispositions binding upon Vance & Hines. Vance & Hines will not be responsible for any labor charges incurred in removing or replacing any system under warranty. A return authorization number and a copy of the original purchase invoice must accompany all returns. Parts returned without a return authorization may be refused.

13861 ROSECRANS AVENUE / SANTA FE SPRINGS, CA 90670
SALES: (562) 921-5388
TECHNICAL: (562) 926-5291
FAX: (562) 802-0110

vanceandhines
.com