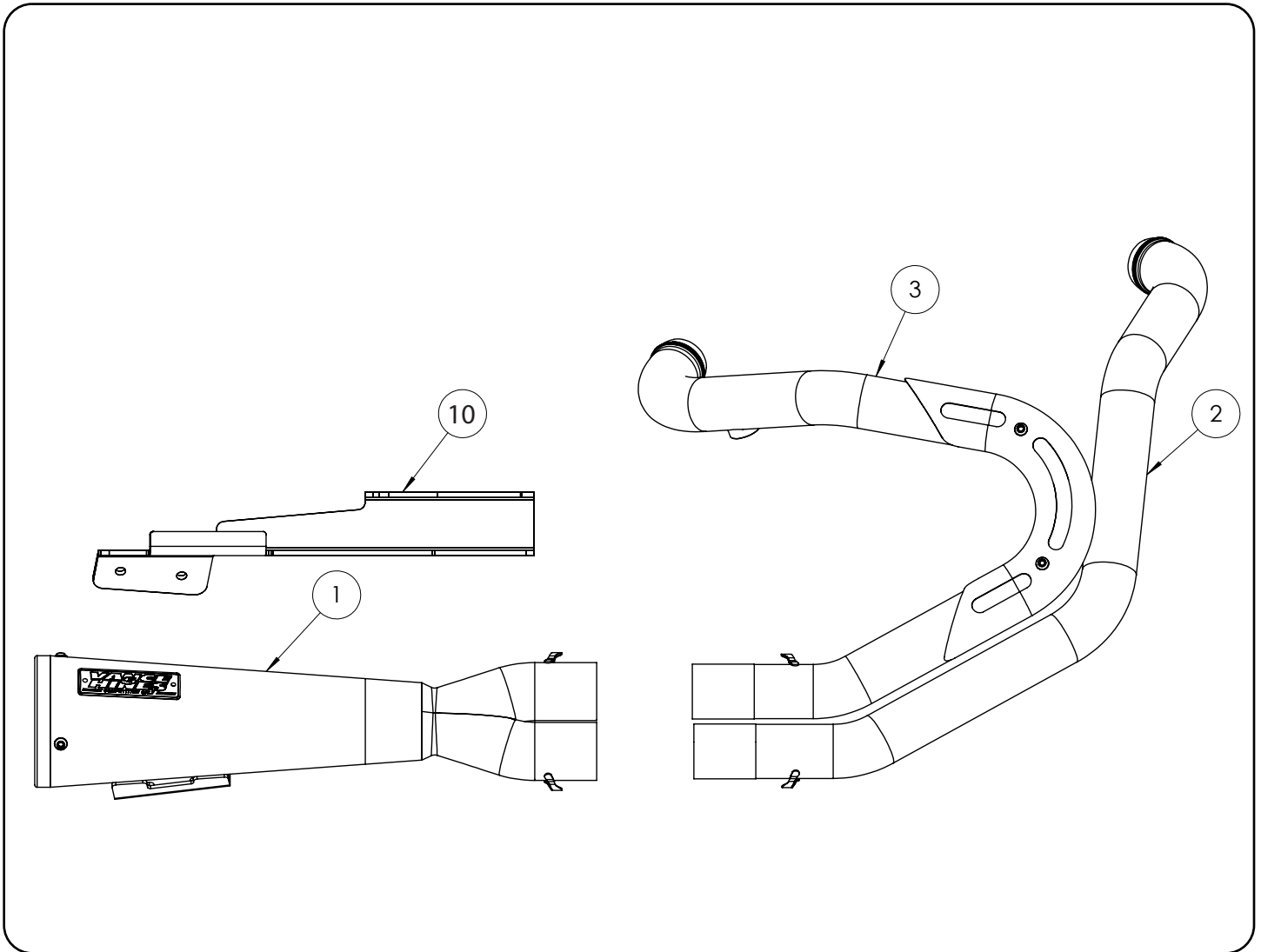


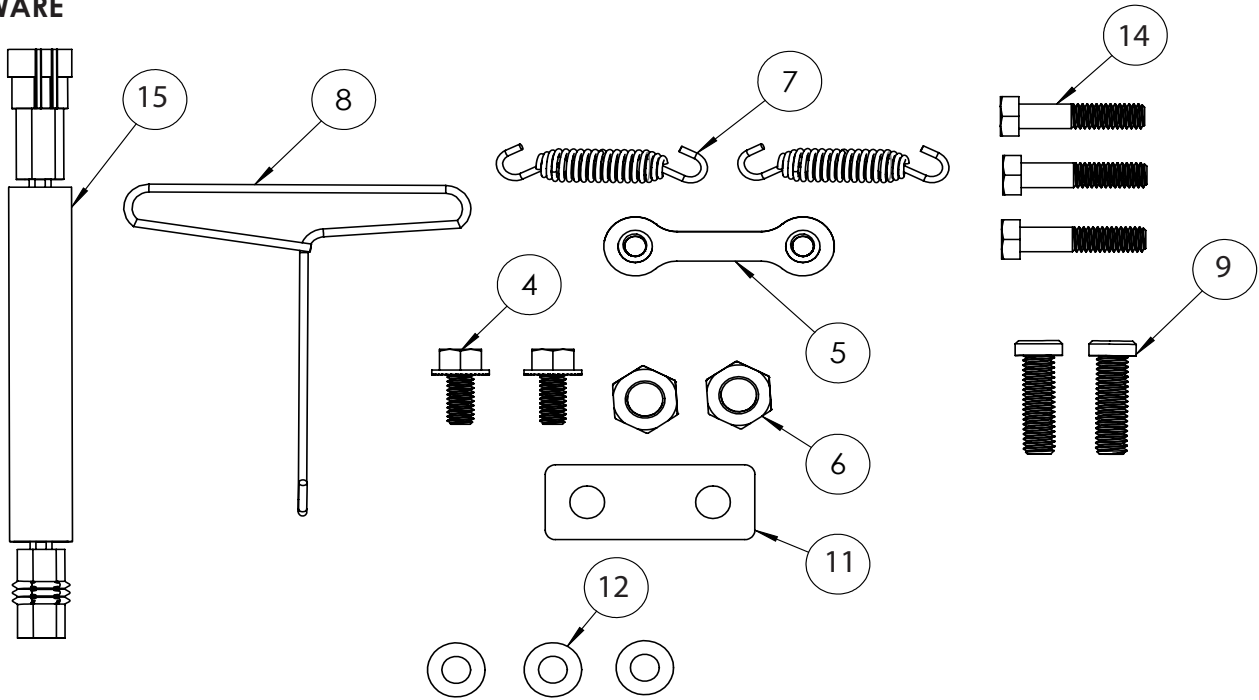
Congratulations, you have purchased the finest exhaust system available for your motorcycle. Your Vance & Hines exhaust is designed and crafted for performance, quality, and style. Please follow the instructions below, check exhaust system for missing or damaged parts and if you need any assistance please contact our technical support line (562) 921-7461.



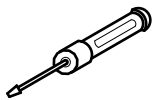
PARTS LIST

NO.	Part No.	Description	Qty.	NO.	Part No.	Description	Qty.
1	D374RB-S/D337RP-S	Muffer can assembly	1	9	A283HW	3/8-16 low profile SHCS	2
2	D1122FB/D1322FP	Front head pipe assembly	1	10	1169-P	Mount bracket	1
3	D1123FB/D1323FP	Rear head pipe assembly	1	11	A527HW-P	Floor board spacer	1
4	A240HW	5/16-18 X 5/8" FHS	2	12	A107HW	5/16" SAE flat washer	3
5	A195HW	Dogbone nut plate	1	13	A345HW	5/16-18 X 1 1/2" bolt	3
6	A644ST	18-12mm O2 adaptor	2	14	71001	6IN O2 extension lead	1
7	A115SP	Dirt Sport Spring	2				
8	A260SP	Spring puller	1				

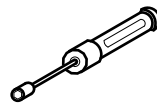
HARDWARE



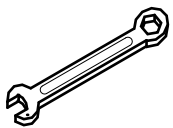
TOOLS REQUIRED



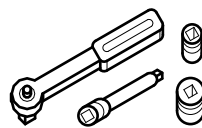
Flat blade Screwdriver



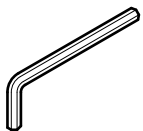
5/16" Nut Driver



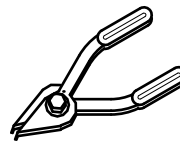
Combination Wrench:
1/2", 7/8" or 22mm &
14mm



3/8" Ratchet, extensions
1/2" & 19mm Sockets
9/16" Deep Socket



Allen Wrenches: 3/16",
1/4", 3/8"



Snap ring Pliers

STOCK EXHAUST SYSTEM REMOVAL

1. For O₂ sensor equipped models (10-17), remove seat to gain access to rear oxygen sensor connector. Unplug sensor and feed end of wire through frame to free it from motorcycle. **NOTE:** Pay attention to wire routing for re-installation.
2. For **2010 to 2011** models, remove two bolts holding rectifier onto front of frame (near front tire). Open plastic cover to gain access to front oxygen sensor connector. Unplug sensor from harness and feed end of wire through to free it from motorcycle. For **2012 to later** models, the connector is located under the rectifier at the front of the motorcycle.
3. Loosen the heat shield clamps on both the front and the rear head pipes.
4. Remove two cylinder exhaust port flange nuts from each head pipe, located at the cylinder head.
5. If equipped, remove the front head pipe clamp carriage bolt.
6. Remove the bolt that attaches the mufflers to the frame mounting bar.
7. Remove the complete exhaust system and set aside (assistance may be required).
8. Remove the stock mounting bar and the studs in the transmission cover.
9. Position the muffler support bracket over mounting location to determine which bolts to remove (**Figure 1**). Install removed bolt in the top hole left vacant by the new bracket.
10. Carefully remove the flanges and circlips from the stock exhaust system using snap ring pliers. **NOTE:** Replace bent or damaged circlips. (Recommended replacement exhaust port gaskets, HD #65324-83B).
11. Carefully remove stock oxygen sensors. They will be re-used on the new system.

VANCE & HINES EXHAUST INSTALLATION

1. Attach the muffler support bracket to transmission and tighten to 12-15ft/lb. Torque using three 5/16" x 1 1/2" hex head bolts and washers (items 13 & 15) (**Figure 1**).
2. Install the mid control spacer (item 12) on motorcycles equipped with mid controls using 2x 3/8-16 low profile SHCS (item 10) (**Figure 2**).
3. Remove head pipes from protective packaging. Apply a small amount of anti-seize compound to the threads of the oxygen sensors and install them into the new head pipe. **NOTE:** For **2010 to 2011** models or models using 18mm wideband oxygen sensors, install sensor directly into head pipe. For **2012 to later** models, install supplied 18mm to 12mm oxygen sensor adapter then install 12mm oxygen sensors (Grey connector into front head pipe, Black connector into rear head pipe.) For all models not using oxygen sensors, install 18mm plug with copper crush washer.
4. Install exhaust port flanges and circlips (from stock system) onto head pipes.
5. Using stock flange nuts, carefully install head pipes into exhaust ports, starting with the rear cylinder. Assistance may be required. **NOTE:** Do not tighten at this time.
6. Install muffler assembly onto head pipes. Attach muffler assembly to installed bracket and secure with 5/16-18 flange bolts & dog bone nut plate (supplied).
7. Install springs using supplied spring puller. There should be about a 2" gap between the spring tabs (**Figure 3**).
8. Tighten exhaust port flange nuts and 5/16" flange head bolts at the bracket.

VANCE & HINES EXHAUST INSTALLATION CONTINUED

9. Feed wire for front oxygen sensor through frame and into plastic holder on frame. Plug sensor into stock wiring connector. Snap plastic holder closed to hold connector in place.
10. For **2010 to 2011** models, put the toothed edge of the wiring holder into the slot in frame. Re-install rectifier so that it fits under tooth of wiring holder, keeping it in place in the frame. Tighten both the bolts.
11. Install a new cable tie (supplied) to hold wires in original location.
12. Feed connector for rear oxygen sensor through frame and into the under seat compartment. Plug sensor into stock wiring connector. For **2010 to 2011** models, use supplied O2 extension lead (item 16).
13. Reinstall the seat.
14. Check for adequate clearance between all exhaust system components and motorcycle accessories prone to heat damage. **NOTE:** On some mid control models, rear brake pedal height may need to be adjusted to achieve clearance to rear head pipe when brake is engaged. Use the following steps to adjust brake pedal height.
 1. Remove muffler and front head pipe.
 2. Remove bolts securing the brake pedal bracket to the frame.
 3. Remove pin and disengage brake rod from brake pedal.
 4. Loosen the brake rod jam nut next to the master cylinder.
 5. Rotate the brake rod counter clockwise lengthening the brake rod 3-5 turns.
 6. Tighten the jam nut securely.
 7. If necessary, ensure the drain hole in the rubber boot is positioned to the bottom.
 8. Re-install brake pedal bracket to the frame using spacer and low profile allen screws.
 9. Re-install front head pipe and muffler then check brake pedal clearance.
 10. If necessary, repeat adjustment until brake pedal does not contact rear head pipe when the brake is applied.
 - **Caution:** When adjusting brake control rod, never allow more than six threads to be exposed between control rod and jam nut. If six (6) threads are visible past the jam nut, there is insufficient brake rod thread engagement into the master cylinder push rod. This could cause the brake rod to separate from the push rod, making the rear brake inoperative.
15. Be sure to tighten all hardware before starting your motorcycle.

FIGURE 1

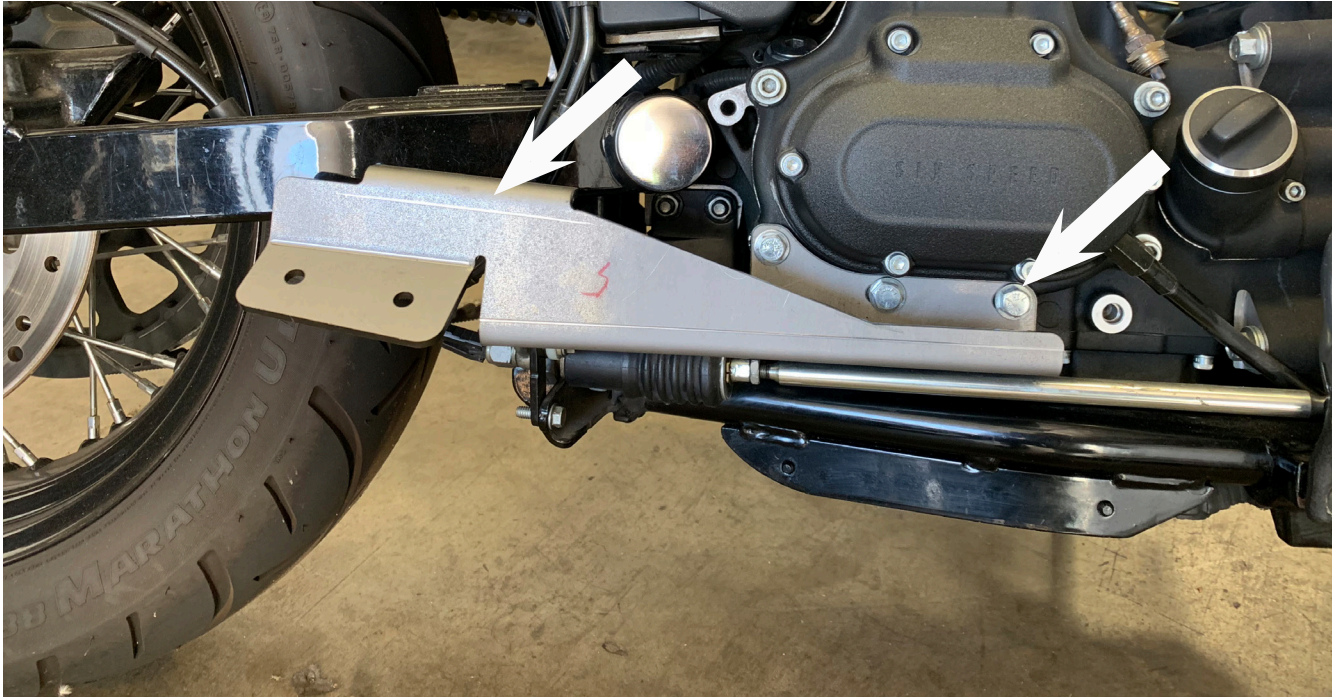


FIGURE 2

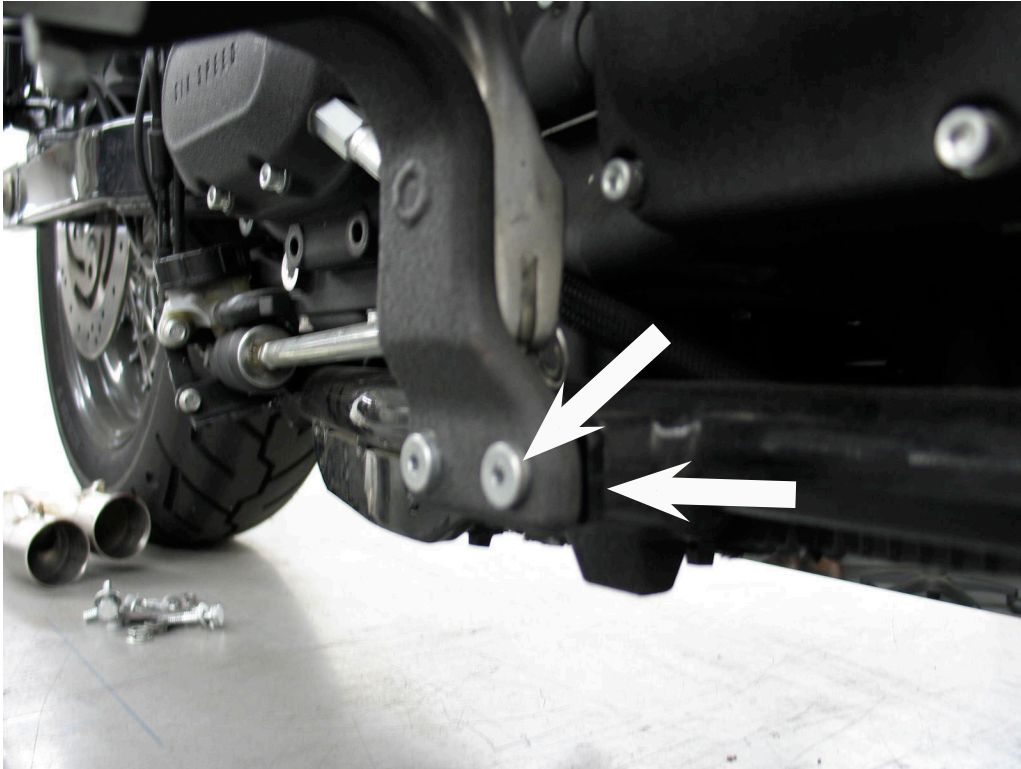


FIGURE 3



EXHAUST CARE (STAINLESS)

1. When installing a new set of stainless pipes, make sure your hands are clean and free of oil. After installation, thoroughly clean pipes with a soft cloth and cleaning solvent that will leave no residue (glass cleaner, alcohol, acetone, etc...) before starting the motorcycle.
2. It is considered normal for stainless steel exhaust systems to discolor due to heat.
3. High performance engine tuning utilizing a dyno will likely result in severe discoloration.
4. Avoid long periods of idling as this can cause discoloration. Intake leaks can cause the engine to run lean and overheat and this could lead to discoloration.
5. Make sure there are no exhaust leaks at the junction of the exhaust pipes and cylinder head. We recommend replacing gaskets if they are worn.

EXHAUST CARE (BLACK)

1. When installing a new set of black pipes, make sure your hands are clean and free of oil. After installation, thoroughly clean pipes with warm soapy water and a soft cloth. Dry with a clean towel to remove any residue before starting the motorcycle. Do NOT use anything abrasive to clean pipes.
2. Avoid long periods of idling as this can cause discoloration.
3. Intake leaks can cause the engine to run lean and overheat, this could lead to discoloration.
4. Make sure there are no exhaust leaks at the junction of the exhaust pipes and cylinder head. We recommend replacing gaskets if they are worn.

Emissions Notice:

In California, in order to meet Air Resources Board emissions requirements, certain aftermarket part applications have been identified as replacements, and others have received ARB Executive Orders. All other emissions related aftermarket parts are for competition use only. A list of replacement parts and EO parts, and corresponding fitment is provided at vanceandhines.com/California.

Warranty:

All Vance & Hines products are warranted against defects in material and workmanship for a period of 90 days. This warranty does not cover discoloration or rust. This warranty shall be limited to the repair or replacement of the product, which may be proven defective under normal use. Vance & Hines will not warranty any system that has been abused, misused, improperly installed or modified.

Dealers or distributors are not authorized to make dispositions binding upon Vance & Hines. Vance & Hines will not be responsible for any labor charges incurred in removing or replacing any system under warranty. A return authorization number and a copy of the original purchase invoice must accompany all returns. Parts returned



Connect. Tune. Ride.

From the team that brought you The Fuelpak FP3, the best-selling ECU tuner in the world for Harley-Davidson motorcycles, the Vance & Hines FP4 is the most intuitive tuning tool on the market, giving you the power to control your motorcycle's tune and offers the best-in-industry support from our FP4 technicians, all from your smartphone.

- Download and Flash Maps
- Live Data Viewing
- Autotune Feature for Map Customization

Visit vanceandhines.com to learn more about FP4.

Qualified Manufacturer Declared 49-state Federal Emissions Compliant Part.



13861 ROSECRANS AVENUE / SANTA FE SPRINGS, CA 90670
SALES: (562) 921-5388
TECHNICAL: (562) 926-5291
FAX: (562) 802-0110

vanceandhines
.com